

# Task Group 5

- **Clean room**  
ready for tender  
suspended

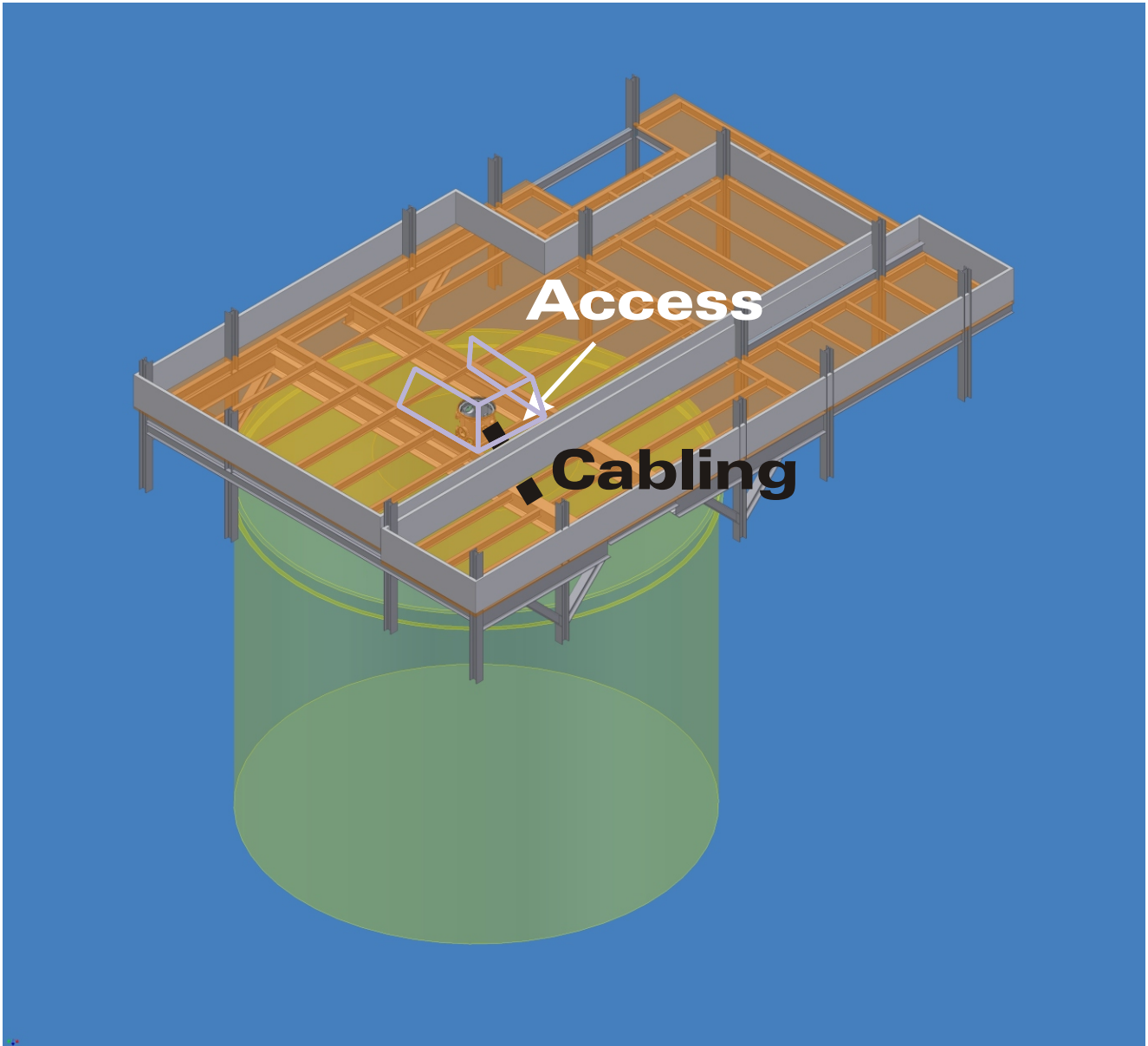
- **Lock system**

**System  
Integration  
Issues**



**Completely  
New Design**

# Integration



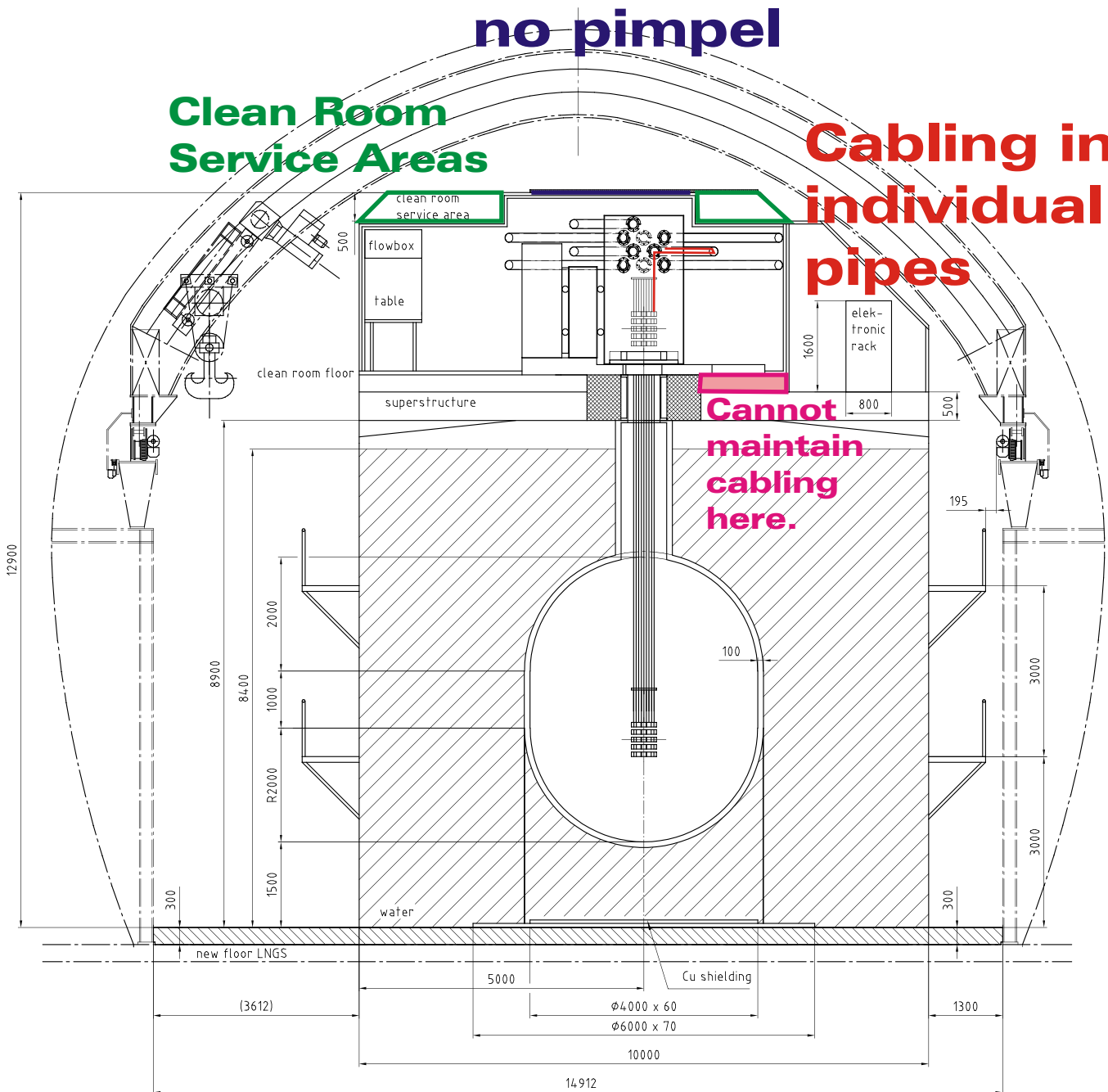
**Building something is not enough.  
You have to be able to get there.**

# Space and the GERDA

no pimpel

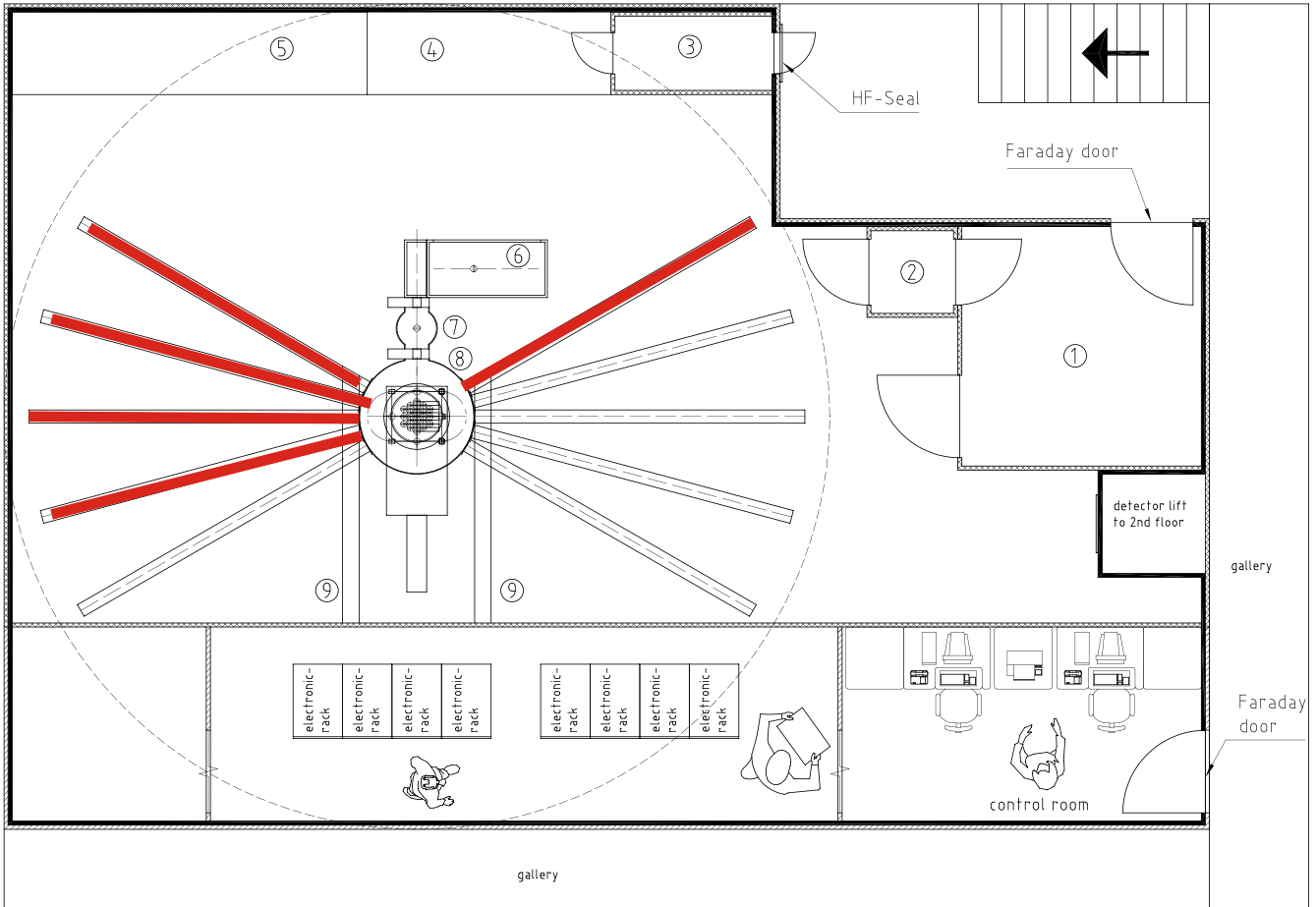
Clean Room  
Service Areas

Cabling in  
individual  
pipes



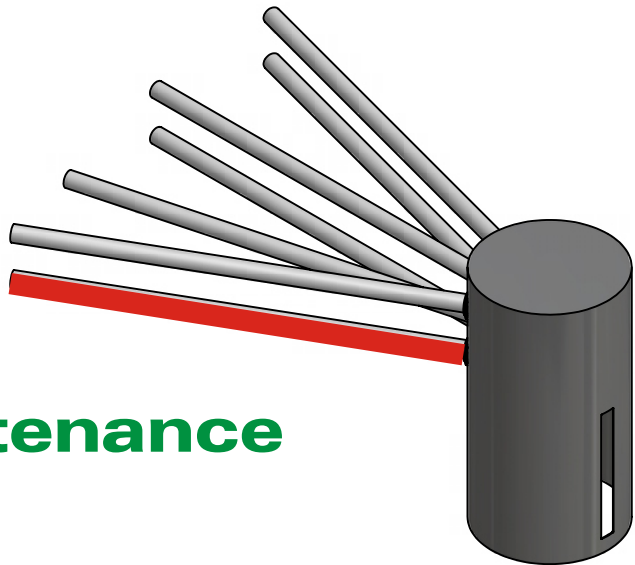
cylindrical watertank;  $\phi$  10m; H 8,9m

# Floorplan

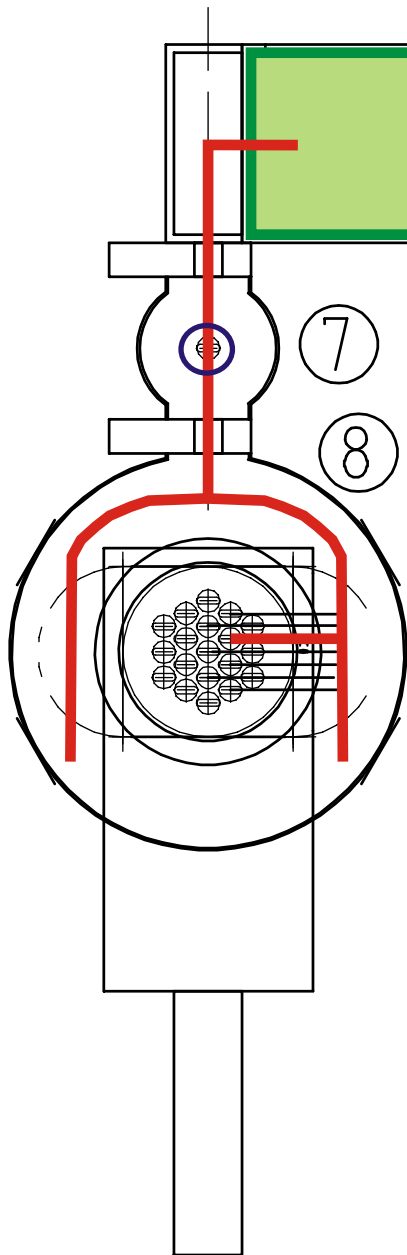


**Filling up the  
clean-room**

**Good maintenance**



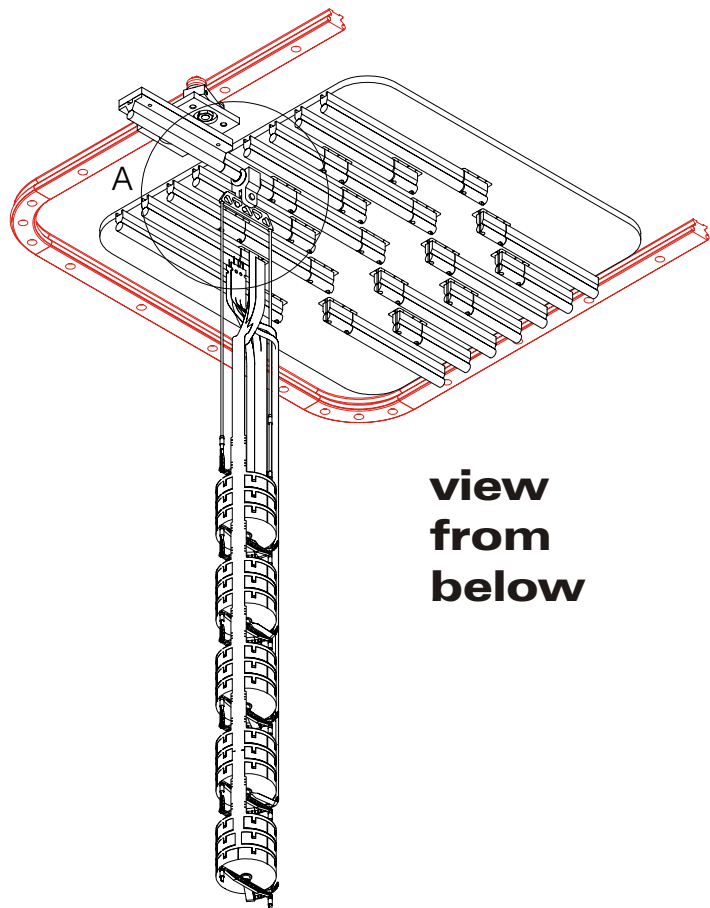
# Lock Mechanics



**Prepare  
Strings**

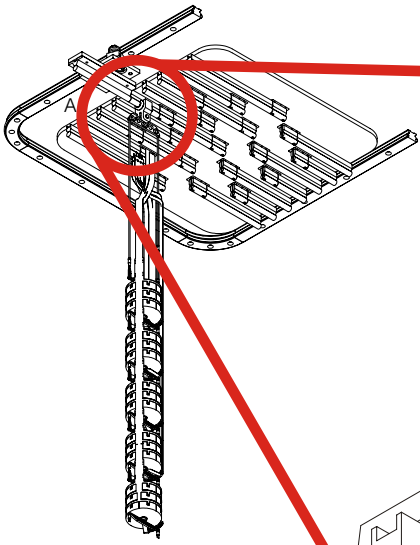
**Cleaning**

**Loading**

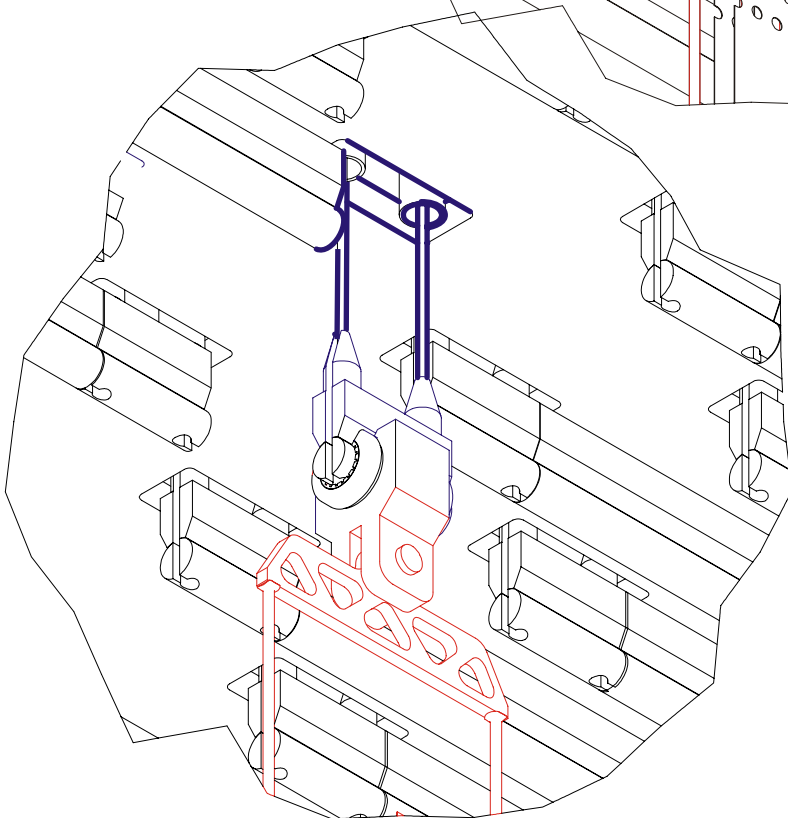
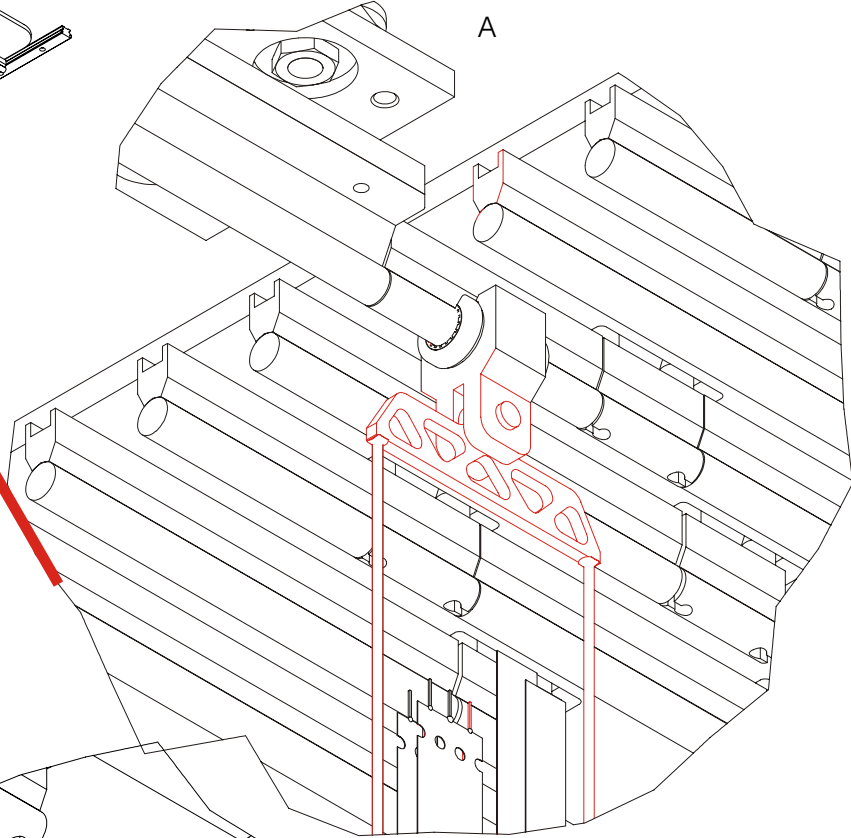


**view  
from  
below**

# Lock Mechanics



**Docking**



**Lowering**

**Details will need a full scale model.**

# Summary

**Clean room is ready for tender.**

**Lock is in design phase  
Cabling is a major issue.**

**Mock-ups to be built in 2006.**



We assume independence  
from 3rd wall issue.



There is no real time  
schedule. It would be  
nice to know when we  
have to be ready.