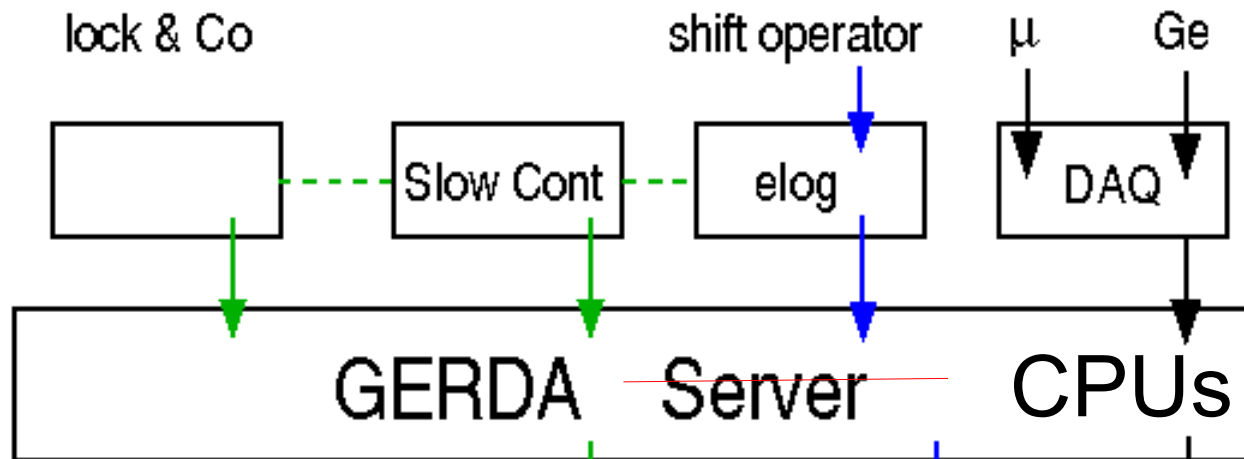


data management - overview

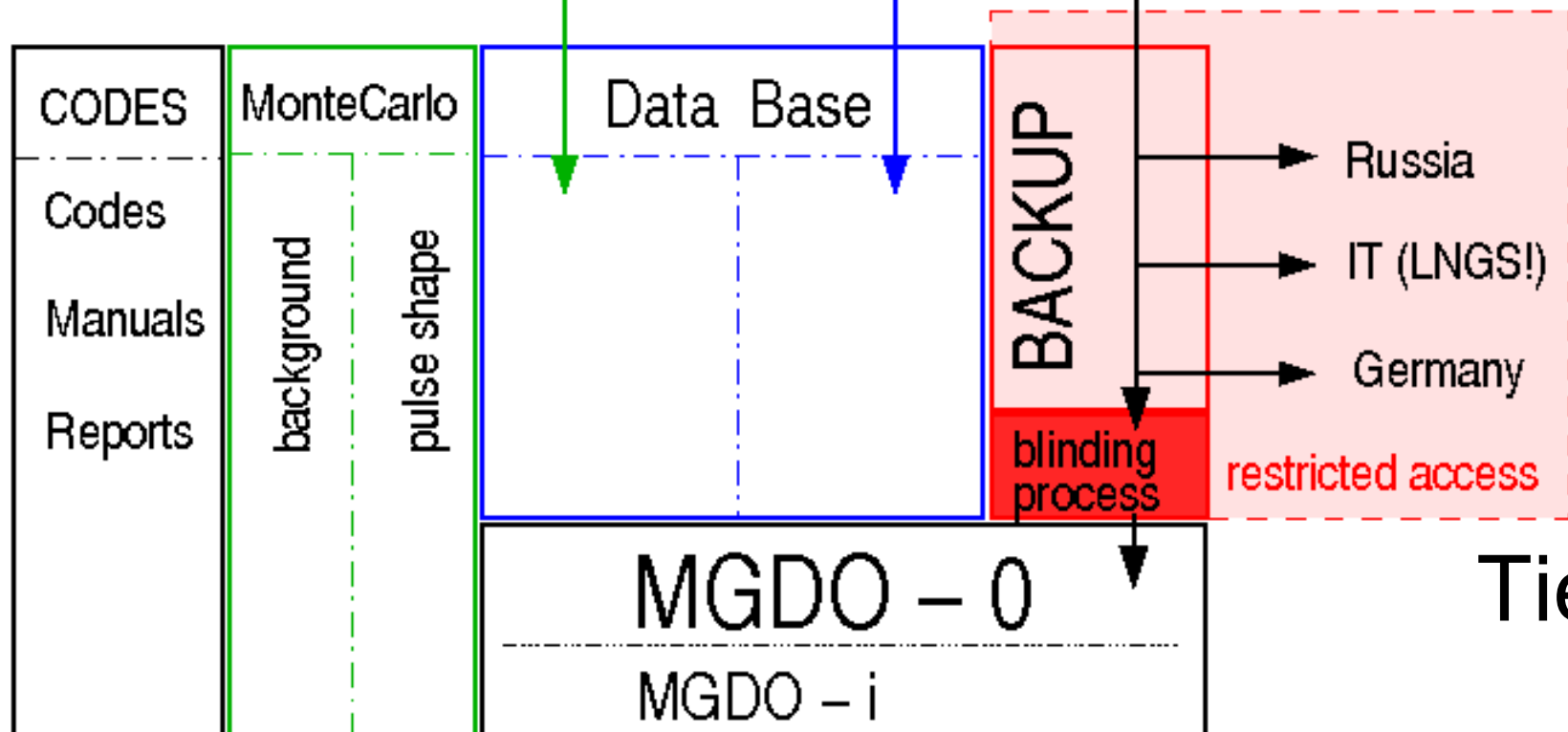


UNDERGROUND



Tier 0

LNGS COMPUTING



Tier 1

data management

hardware:

2 DAQ: Padova for Ge

HD for muon & Ge

→ Phase I : PD + HD

→ Phase II: HD + HD in one crate

3. DAQ slow control

.. LARGE, test facilities @home

short-term storage underground (8 TB)

link: underground – LNGS lab

backup & MGDO

IT-service: buy 84 TB (25 k€) ?? ; now 1/3



data management

software:

trigger

data formats (which info in what

online monitoring

interfacing slow control & DAQ

repository for analysis software

estimate disk space

tasks



data taking: Phase I & II + Muon + Large <> Padova - HD

slow control:

calibration:

backup of raw data + slow control

monitoring beyond slow control (histograms of time lines)

ELOG

summaries: structure of Ge array and FE, accum. exposure

Monte Carlo

software repository

.....

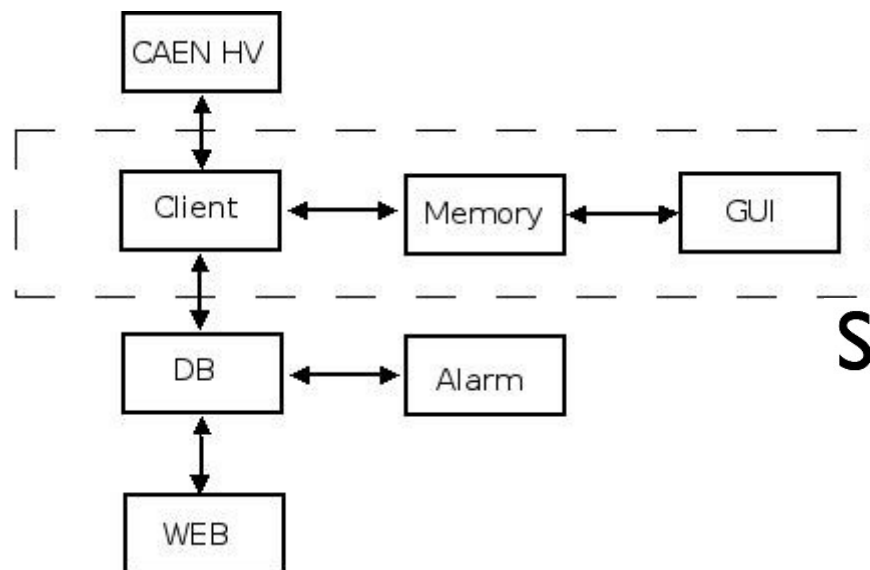
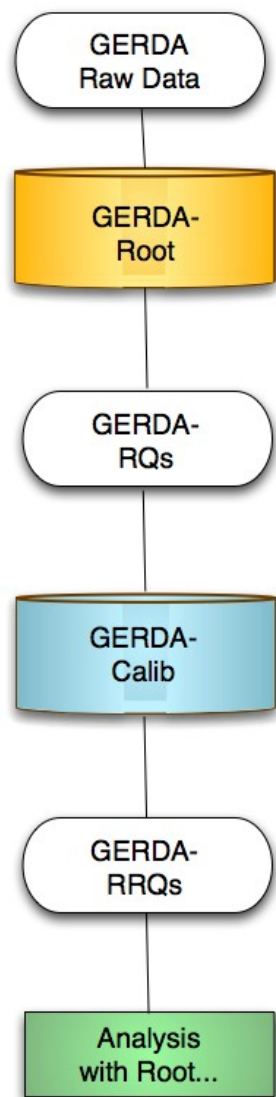
The GERDA Collaboration wants to run efficiently, i.e.

quick & thorough checking needed

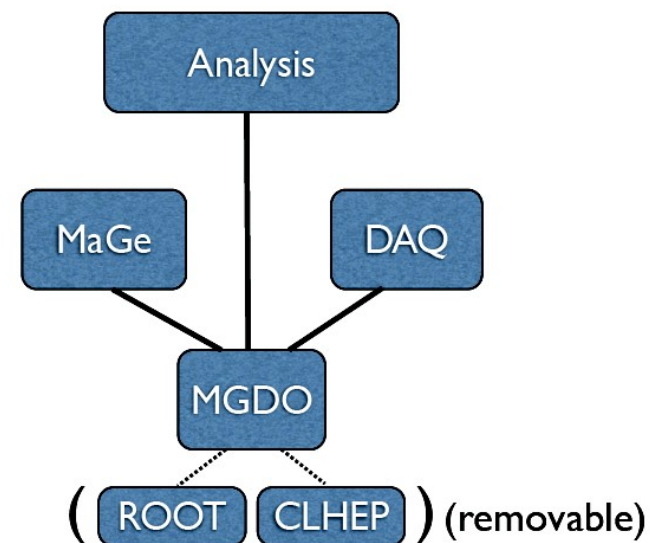
no superfluous work, however double-checks

Everybody in GERDA should be empowered to analyze

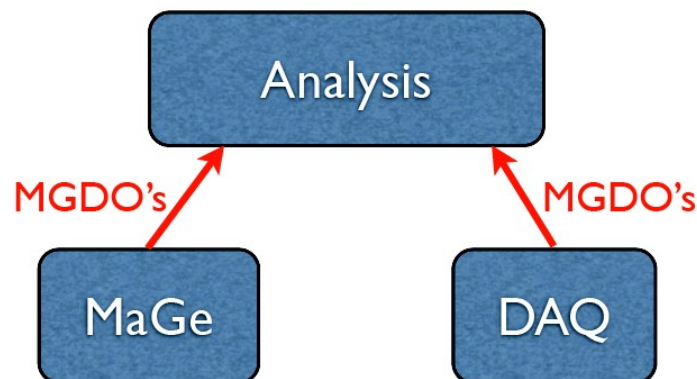
Many roads to Rome



Software Hierarchy



Data Flow



status



backups:

countries D-I-R,
but which institutions ?

software:

MC: organized MaGe, MGDO
DAQ
Online monitoring
Offline analysis

Storage space needed:

1,5 TB @ LNGS available

hardware:

?